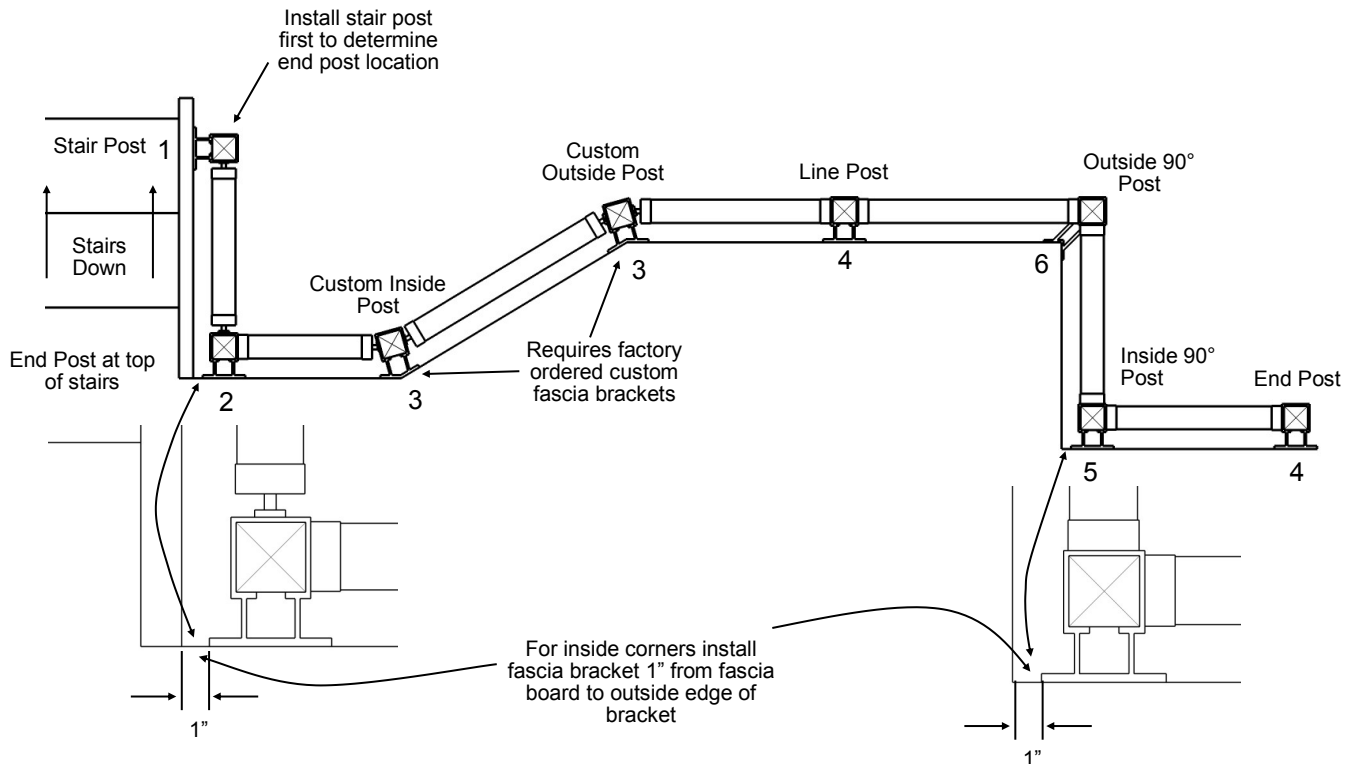


Residential installation only. Commercial applications may differ.  
Always check with local building codes prior to purchasing and installing this product.



*(\*\*Please note: In some cases due to powder coating processes the underside of the bottom rail may have small unpainted sections. These sections can easily be touched up prior to installation with a paint match Tremclad product, or you can purchase a Century touch up spray can from your authorized Century dealer. This is not a requirement but a visual recommendation if your railing is installed on a second floor deck or higher and your bottom rail is visible from the ground.)*

- |  |  |
|--|--|
| <p>1. <b>Fascia Stair Post</b> (mount on stringer)<br/>1- FBLE2 Fascia Line/End Bracket<br/>1- SP Stair Post<br/>1- SB Swivel Bracket</p> <p>2. <b>Fascia End Post</b> (top of stairs)<br/>1- FBLE2 Fascia Line/End Bracket<br/>1- EP End Post<br/>1- SB Swivel Bracket</p> <p>3. <b>Fascia Custom Post</b><br/>1- 9856 Custom Fascia Bracket<br/>1- SP Stair Post<br/>2- SB Swivel Brackets</p> | <p>4. <b>Fascia Line or End Post</b><br/>1- FBLE2 Fascia Line/End Bracket<br/>1- EP End Post or<br/>1- LP Line Post</p> <p>5. <b>Fascia 90° Inside Post</b><br/>1- FBLE2 Fascia Line/End Bracket<br/>1- CP Corner Post</p> <p>6. <b>Fascia 90° Outside Post</b><br/>1- FBC2 Fascia 90° Bracket<br/>1- CP Corner Post</p> |
|--|--|

Fascia support leg sold separately.  
Instructional video available on our website. [www.centuryrailings.com](http://www.centuryrailings.com)

9685 Agur St. Summerland B.C. V0H 1Z2  
Phone: 778-516-6250 Fax: 778-516-6003 Toll Free 1-888-493-1103  
[www.centuryrailings.com](http://www.centuryrailings.com)

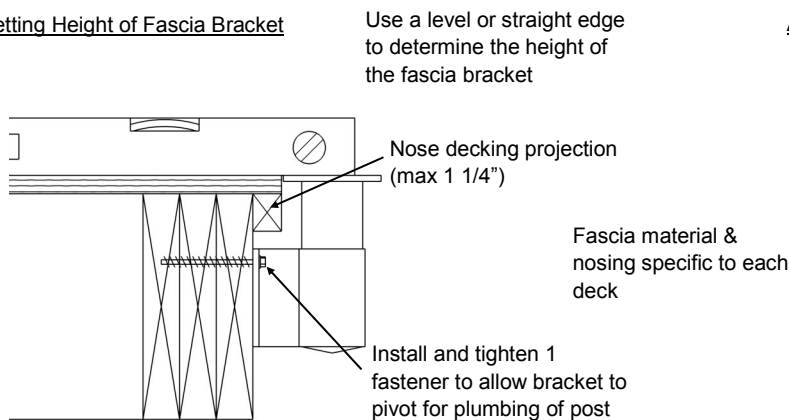
## Fascia Bracket, Post and Support Leg Installation

Residential installation only. Commercial applications may differ.  
Always check with local building codes prior to purchasing and installing this product.

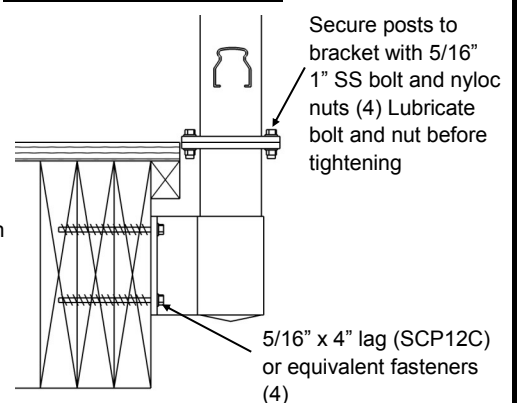
FBLE2, FBC2, FSL

- Determine post position based on overall deck dimensions.  
*Railing posts spacing should never exceed 8 ft for welded and component picket, 6 ft for 5mm and 3/16" glass and 4 ft for Scenic Series railing.*  
*When using fascia mounted railings around the deck, it is recommended that you also use fascia mounted rails on the stairs. Install the stair posts first to determine the position of the first deck post.*
- At the post location place a level or straight edge over the deck edge and bring the top of the fascia bracket baseplate up to the underside of the level or straight edge. This will determine the correct height of the fascia bracket. Holding the bracket level, mark through the mounting holes onto the fascia board with a pen or pencil. Pre-drill one of the upper marked holes and attach the bracket to the fascia board with the fastener.
- Secure the Century post to the fascia bracket with supplied 4 5/16" x 1" bolts and nyloc nuts. Lubricate bolt and nut before tightening. Plumb the post in both directions and install the remaining 3 fasteners. Install baseplate cover to conceal post baseplate bolts. (optional)  
*Note: The same procedures are to be used for Century picket, glass and Scenic 10mm glass systems.*

### Setting Height of Fascia Bracket



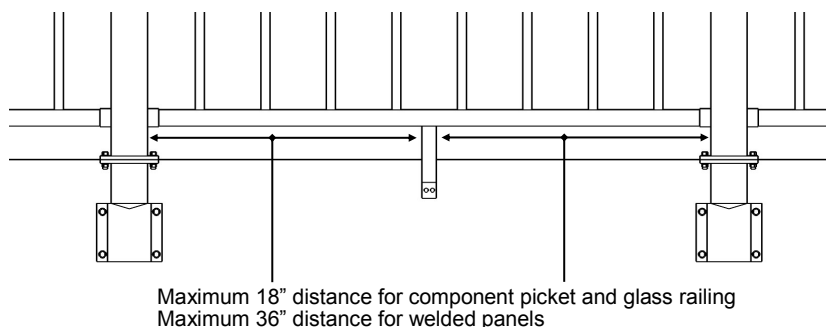
### Attach Post to Fascia Bracket



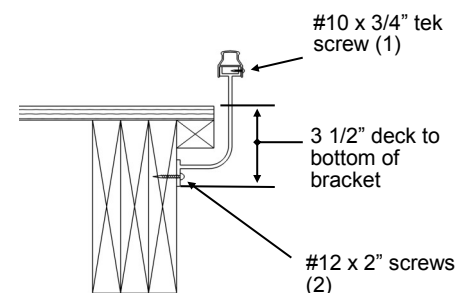
### Support Leg Installation

- After the railing is installed, determine the location of the support leg to be installed. (support leg sold separately)  
Evenly space support legs in railing section as indicated below.  
After determining support leg position fasten to wood fascia board using 2- #12 x 2" screws (supplied).  
*Note: Bottom rail should be resting on support leg. Distance between bottom support leg and to edge of deck should be 3 1/2" (see support leg connection detail)*
- Fasten support leg to bottom rail using 1- #10 x 3/4" tek screw.

### Support Leg Placement



### Support Leg Connection



Fascia support leg sold separately.  
Instructional video available on our website. [www.centuryrailings.com](http://www.centuryrailings.com)