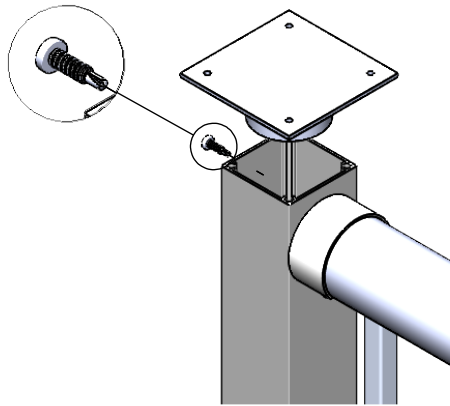
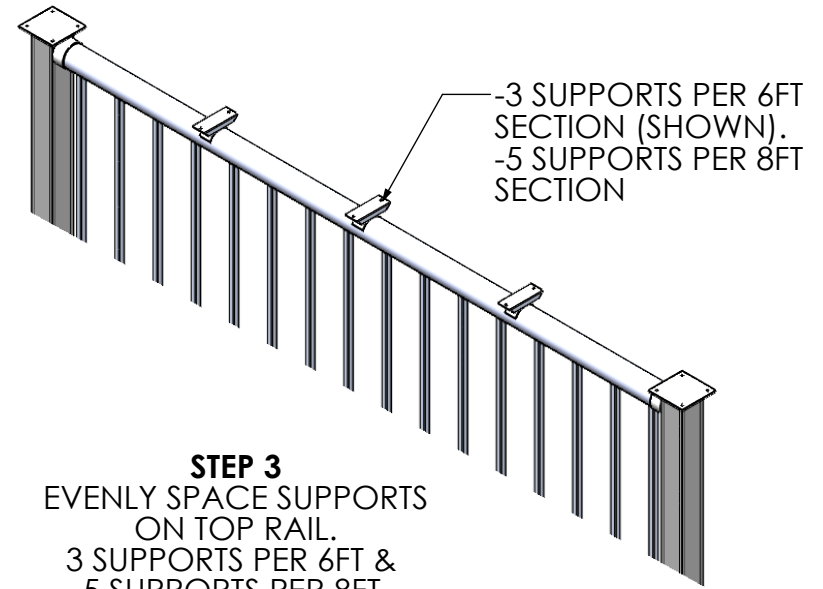


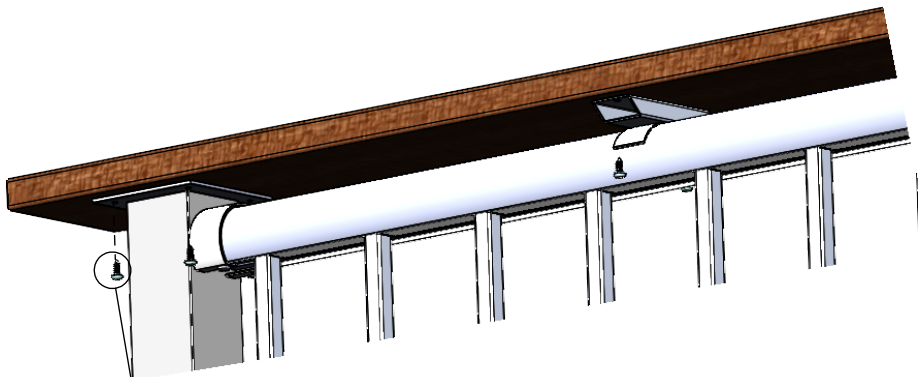
STEP 1
LIGHTLY TAP PYRAMID CAP
EDGE UPWARD TO REMOVE



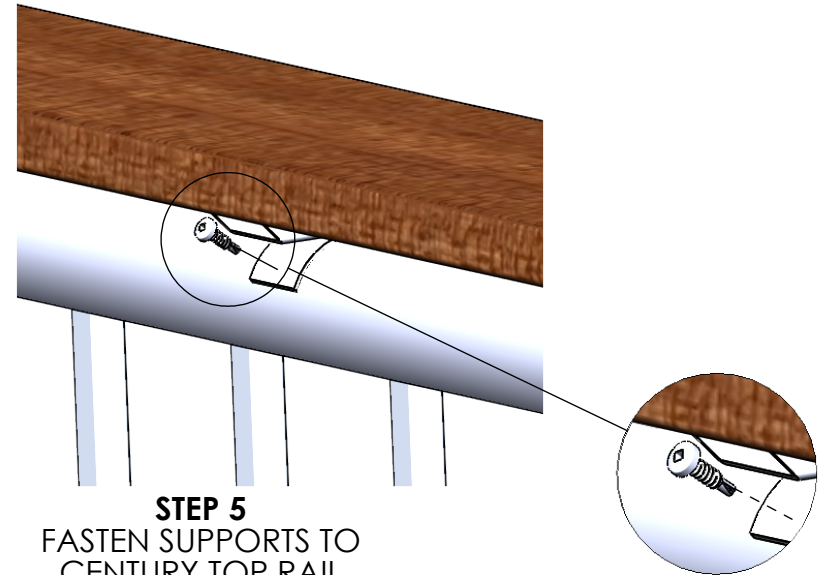
STEP 2
FASTEN POST ADAPTERS
(#10X3/4 TEK SCREW)



STEP 3
EVENLY SPACE SUPPORTS
ON TOP RAIL.
3 SUPPORTS PER 6FT &
5 SUPPORTS PER 8FT
(#10X1/2 SCREW)



STEP 4
FASTEN DRINK RAIL TO POST
ADAPTERS AND SUPPORTS
(#10x1/2 SCREW)
SCALE 1 : 6



STEP 5
FASTEN SUPPORTS TO
CENTURY TOP RAIL
(#10X3/4 TEK SCREW)

Century
ALUMINUM RAILINGS

PROPRIETARY AND CONFIDENTIAL
THE INFORMATION CONTAINED IN THIS
DRAWING IS THE SOLE PROPERTY OF
CENDEK RAILINGS LTD. ANY REPRODUCTION IN PART
OR AS A WHOLE WITHOUT THE WRITTEN PERMISSION
OF CENDEK RAILINGS LTD IS PROHIBITED.

DRAWN BY	
CREATED	2/22/2018
MATERIAL	
DIE NO.	

ALL DIMENSION IN INCHES/mm

DESCRIPTION	
Drink Rail Adapter Kit (DRAK) Install Instructions	
Part No. 8004-KIT-40050	Eng No. 1018A
Weight	lbs
SHEET 1 OF 1	Rev

REVISIONS

REV.	DESCRIPTION	DATE	INITIALS