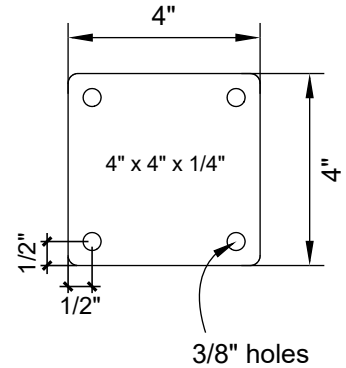


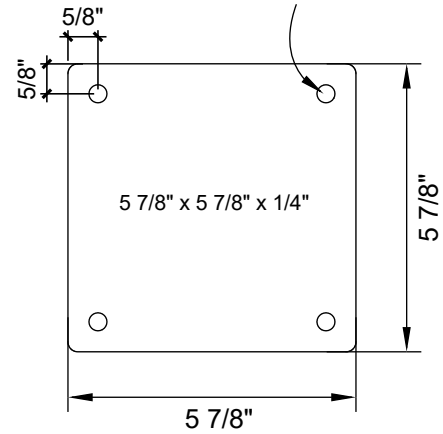
# 1 3/4", 2 1/2", 4" Post Connection to Concrete Surface

Residential installation only. Commercial applications may differ.  
Always check with local building codes prior to purchasing and installing this product.

1 3/4" & 2 1/2" Post  
Baseplate Detail



4" Post  
Baseplate Detail

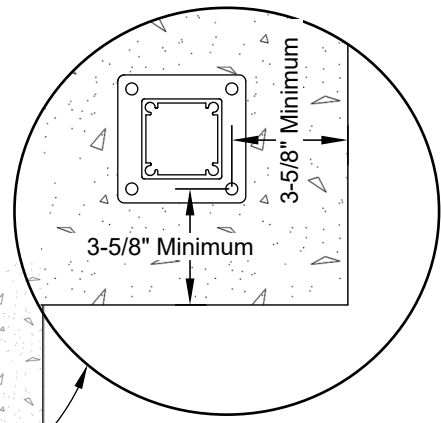
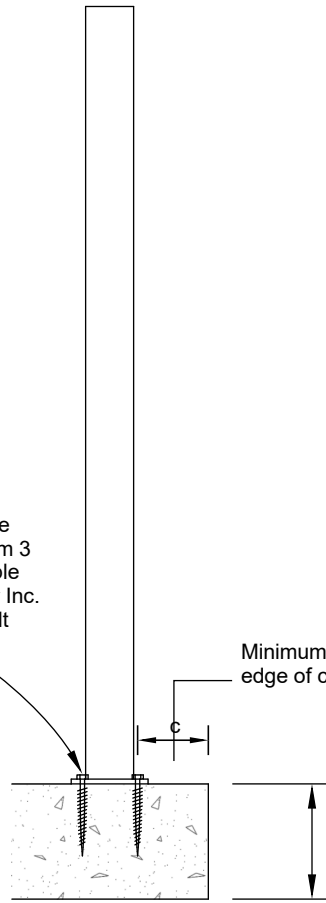


4 x 3/8" Simpson Strong Tie  
Titen HD Anchors (minimum 3  
3/4" embedment) Acceptable  
alternative Power Fastener Inc.  
4 x 3/8" Carbon Wedge Bolt  
(OT) (minimum 3 3/4"  
embedment)

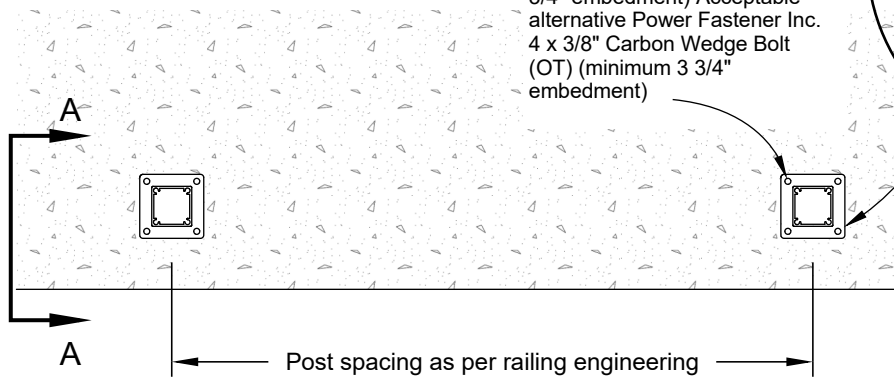
Minimum 3 5/8" from  
edge of concrete

Normal weight concrete  
f<sub>c</sub> >= 3000 psi  
minimum 5"

Section A-A



4 x 3/8" Simpson Strong Tie  
Titen HD Anchors (minimum 3  
3/4" embedment) Acceptable  
alternative Power Fastener Inc.  
4 x 3/8" Carbon Wedge Bolt  
(OT) (minimum 3 3/4"  
embedment)



**Century**  
ALUMINUM RAILINGS

9685 Agur St. Summerland B.C. V0H 1Z2  
Phone 778-516-6250 Fax 778-516-6003 Toll Free 1-888-493-1103