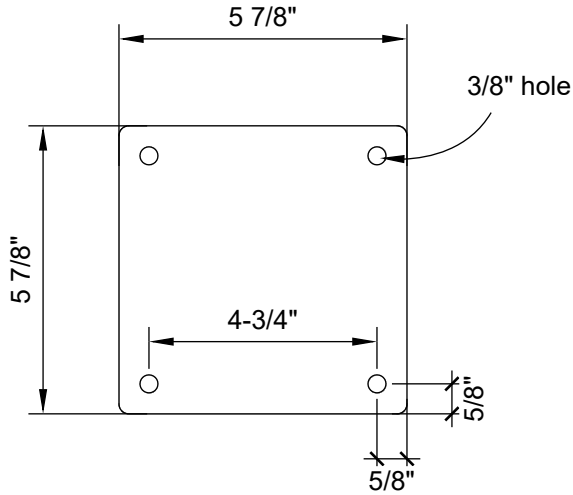


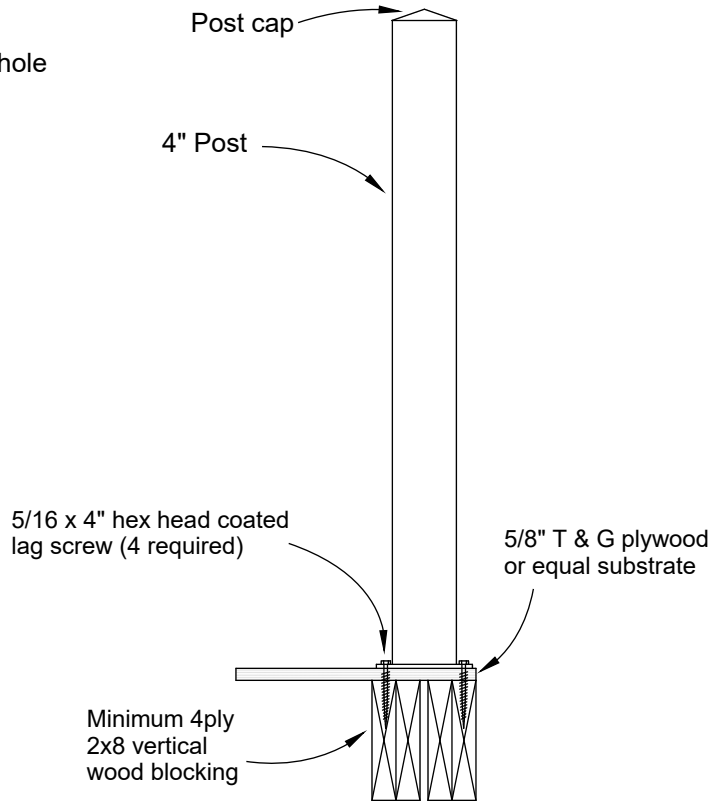
Century 4" Post Connection Detail Surface Mount

Residential installation only. Commercial applications may differ.
Always check with local building codes prior to purchasing and installing this product.

Baseplate Detail

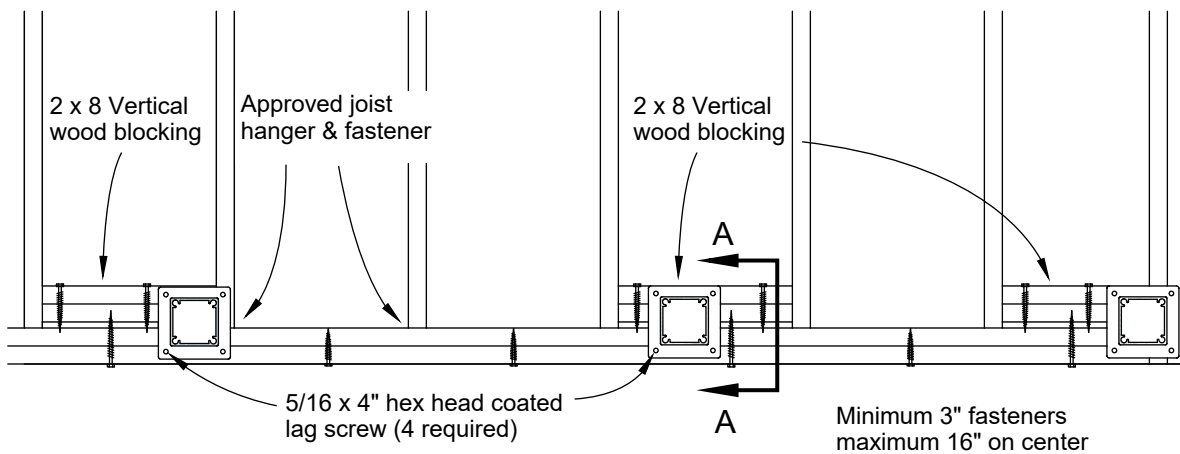


Typical Post Installation using Vertical Blocking



Framing Detail

Section A-A



Century
ALUMINUM RAILINGS

9685 Agur St. Summerland B.C. V0H 1Z2
Phone 778-516-6250 Fax 778-516-6003 Toll Free 1-888-493-1103