

Century

ALUMINUM RAILINGS

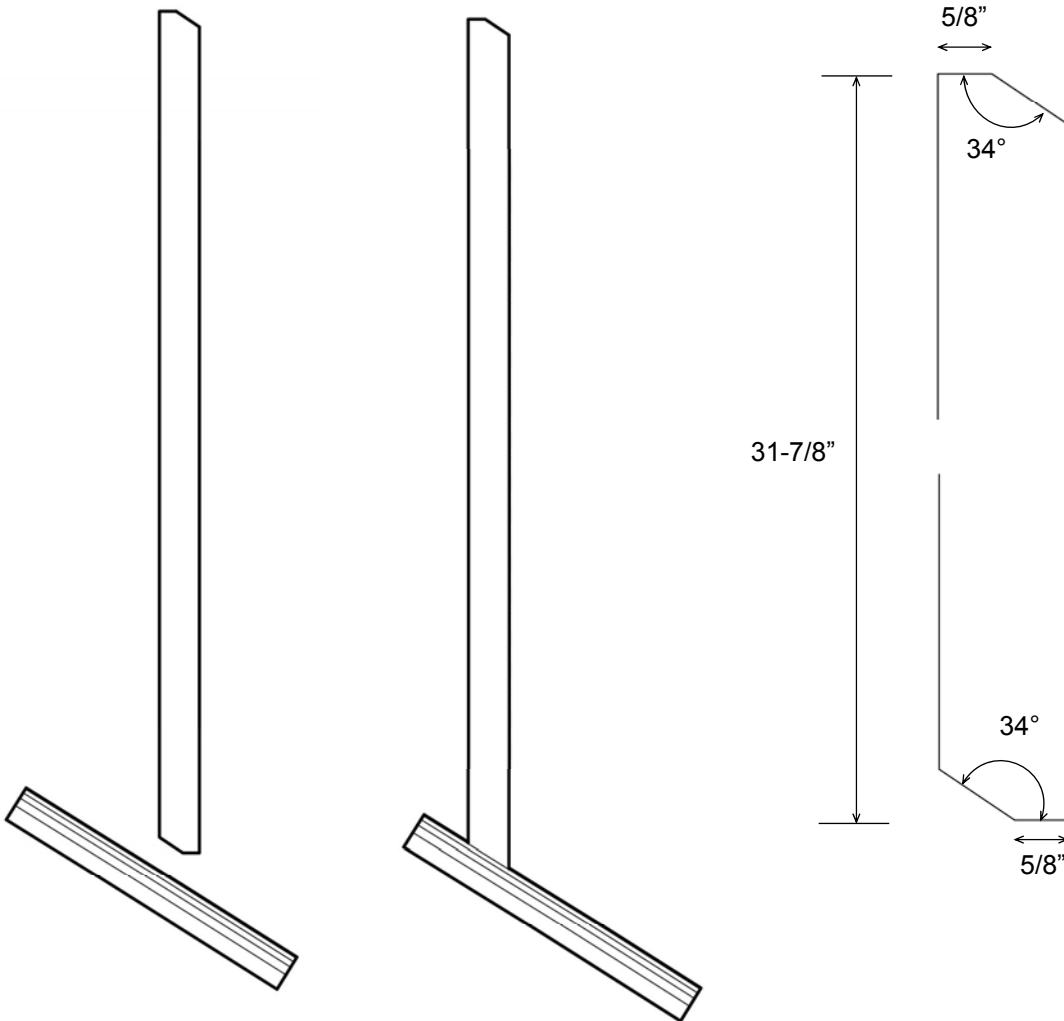
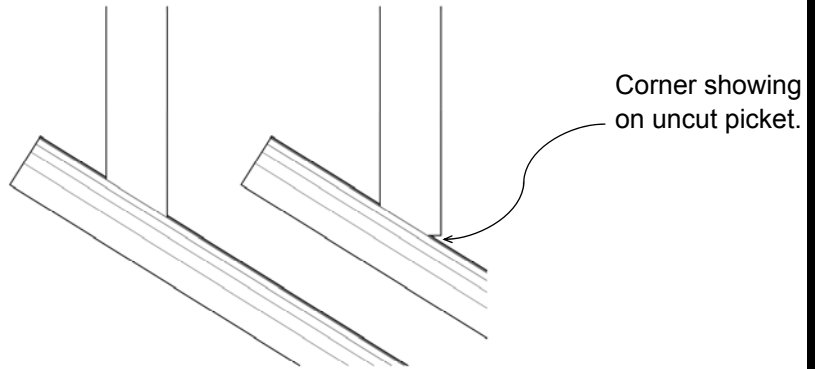
1 1/2" Stair Picket Installation

Residential installation only. Commercial applications may differ.
Always check with local building codes prior to purchasing and installing this product.

When installing 1 1/2" pickets on stairs, the corners need to be cut so the picket fits completely into the top and bottom rail channels. Failure to do so will result in the corners of the pickets protruding from the bottom and top rails.

Cut Picket

Uncut Picket



9685 Agur St. Summerland B.C. V0H 1Z2

Phone: 778-516-6250 Fax: 778-516-6003 Toll Free 1-888-493-1103

www.centuryrailings.com